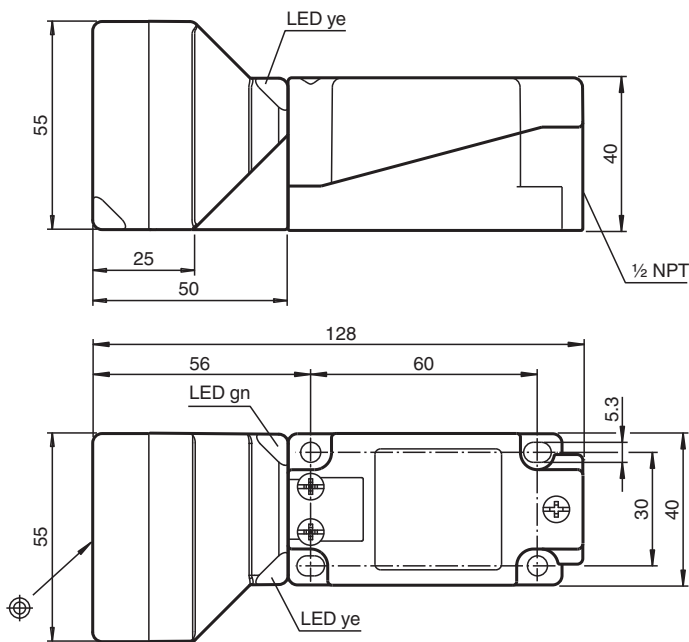


Inductive sensor NBN40-U2L-UU

- Sensor head bidirectional and rotatable
- NO/NC selectable
- Comfort series



Dimensions



Technical Data

General specifications

Switching function		Normally open/closed (NO/NC)
Output type		Two-wire
Rated operating distance	s_n	40 mm
Installation		non-flush
Output polarity		AC/DC
Assured operating distance	s_a	0 ... 32.4 mm
Actual operating distance	s_r	36 ... 44 mm typ. 40 mm
Reduction factor r_{AI}		0.37
Reduction factor r_{Cu}		0.3

Release date: 2022-05-23 Date of issue: 2022-05-23 Filename: 246528_eng.pdf

Refer to "General Notes Relating to Pepperl+Fuchs Product Information".

Pepperl+Fuchs Group
www.pepperl-fuchs.com

USA: +1 330 486 0001
fa-info@us.pepperl-fuchs.com

Germany: +49 621 776 1111
fa-info@de.pepperl-fuchs.com

Singapore: +65 6779 9091
fa-info@sg.pepperl-fuchs.com

PF PEPPERL+FUCHS

Technical Data

Reduction factor r_{304}		0.73
Reduction factor r_{Fe}		1
Reduction factor r_{Brass}		0.4
Output type		2-wire
Nominal ratings		
Switching frequency	f	0 ... 25 Hz
Hysteresis	H	1 ... 10 typ. 5 %
Reverse polarity protection		reverse polarity tolerant
Short-circuit protection		pulsing
Voltage drop	U_d	≤ 5 V (typ. 2V) DC operation ≤ 8 V (typ. 3 V) AC operation
Momentary current (20 ms, 0.1 Hz)		0 ... 3000 mA
Operating current	I_L	5 ... 500 mA
Rated operating current	I_e	500 mA 50/60 Hz
Lowest operating current	I_m	5 mA
Off-state current	I_r	≤ 1.5 mA
Usage category		AC12 , AC140 , DC12 , DC13
Time delay before availability	t_v	≤ 300 ms
Operating voltage indicator		LED, green
Switching state indicator		LED, yellow
Error indicator		flashes when overcurrent
Functional safety related parameters		
MTTF _d		550 a
Mission Time (T_M)		20 a
Diagnostic Coverage (DC)		0 %
Electrical specifications		
Rated operating voltage	U_e	24 ... 250 V DC / 24 ... 230 V AC
Operating voltage	U_B	20 ... 275 V DC / 20 ... 253 V AC
Compliance with standards and directives		
Standard conformity		
Standards		EN 60947-5-2:2007 EN 60947-5-2/A1:2012 IEC 60947-5-2:2007 IEC 60947-5-2 AMD 1:2012
Approvals and certificates		
Protection class		II
Rated insulation voltage	U_i	230 V
Rated impulse withstand voltage	U_{imp}	2.5 kV
UL approval		cULus Listed, General Purpose "For use in NFPA 79 Applications only" For overcurrent protection, install a fuse with a rated current of max. 3 A and at least 300 V AC/DC
CCC approval		Ue 75VDC - 250VDC Ue 75VAC - 230VAC
Ambient conditions		
Ambient temperature		-25 ... 85 °C (-13 ... 185 °F)
Storage temperature		-25 ... 85 °C (-13 ... 185 °F)
Pollution degree		3
Mechanical specifications		
Connection type		terminal compartment
Information for connection		A maximum of two conductors with the same core cross section may be mounted on one terminal connection! tightening torque 1.2 Nm + 10 %
Core cross section		up to 2.5 mm ²
Minimum core cross-section		without wire end ferrule 0.5 mm ² , with connector sleeves 0.34 mm ²
Maximum core cross-section		without wire end ferrule 2.5 mm ² , with connector sleeves 1.5 mm ²
Housing material		PA 6.6 / metal

Release date: 2022-05-23 Date of issue: 2022-05-23 Filename: 246528_eng.pdf

Refer to "General Notes Relating to Pepperl+Fuchs Product Information".

 Pepperl+Fuchs Group
www.pepperl-fuchs.com

 USA: +1 330 486 0001
fa-info@us.pepperl-fuchs.com

 Germany: +49 621 776 1111
fa-info@de.pepperl-fuchs.com

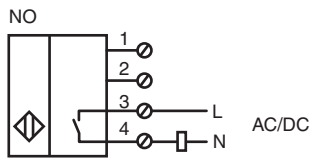
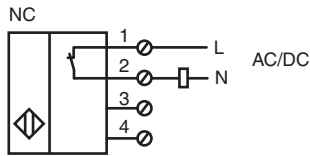
 Singapore: +65 6779 9091
fa-info@sg.pepperl-fuchs.com

 **PEPPERL+FUCHS**

Technical Data

Sensing face	PA 6.6
Housing base	plastic
Degree of protection	IP67
Mass	255 g
Note	Tightening torque: 1.8 Nm (housing)

Connection



Accessories

	MHW 01	Modular mounting bracket
--	---------------	--------------------------

Release date: 2022-05-23 Date of issue: 2022-05-23 Filename: 246528_eng.pdf

Connection

Note

The sensor is designed for individual operation. A series or parallel connection of sensors is not permissible.